

W-05

W-01

W-12

WAND ANSICHT 1-1
W-01/W-05/W-12: d = 30/50cm
C30/37, C35/45; c_{nom} = 4,0cm

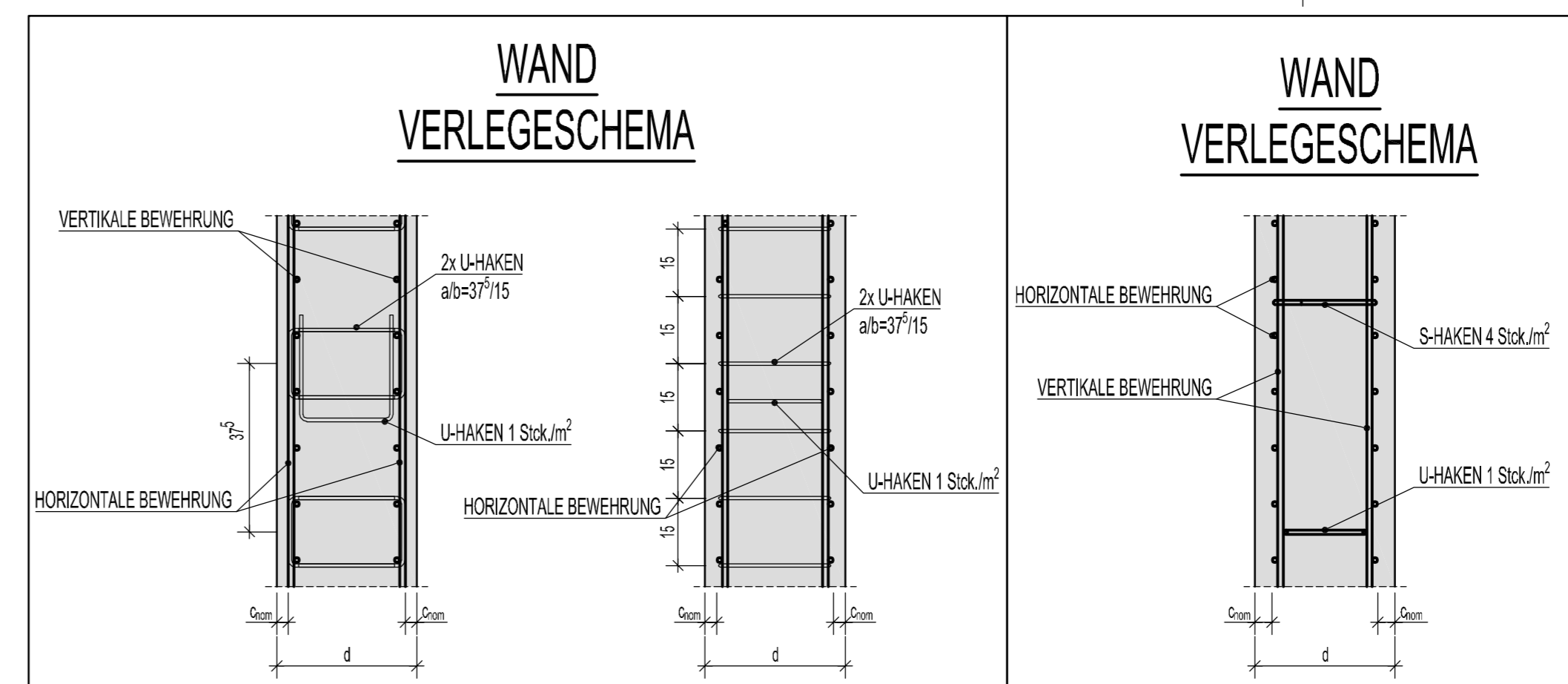
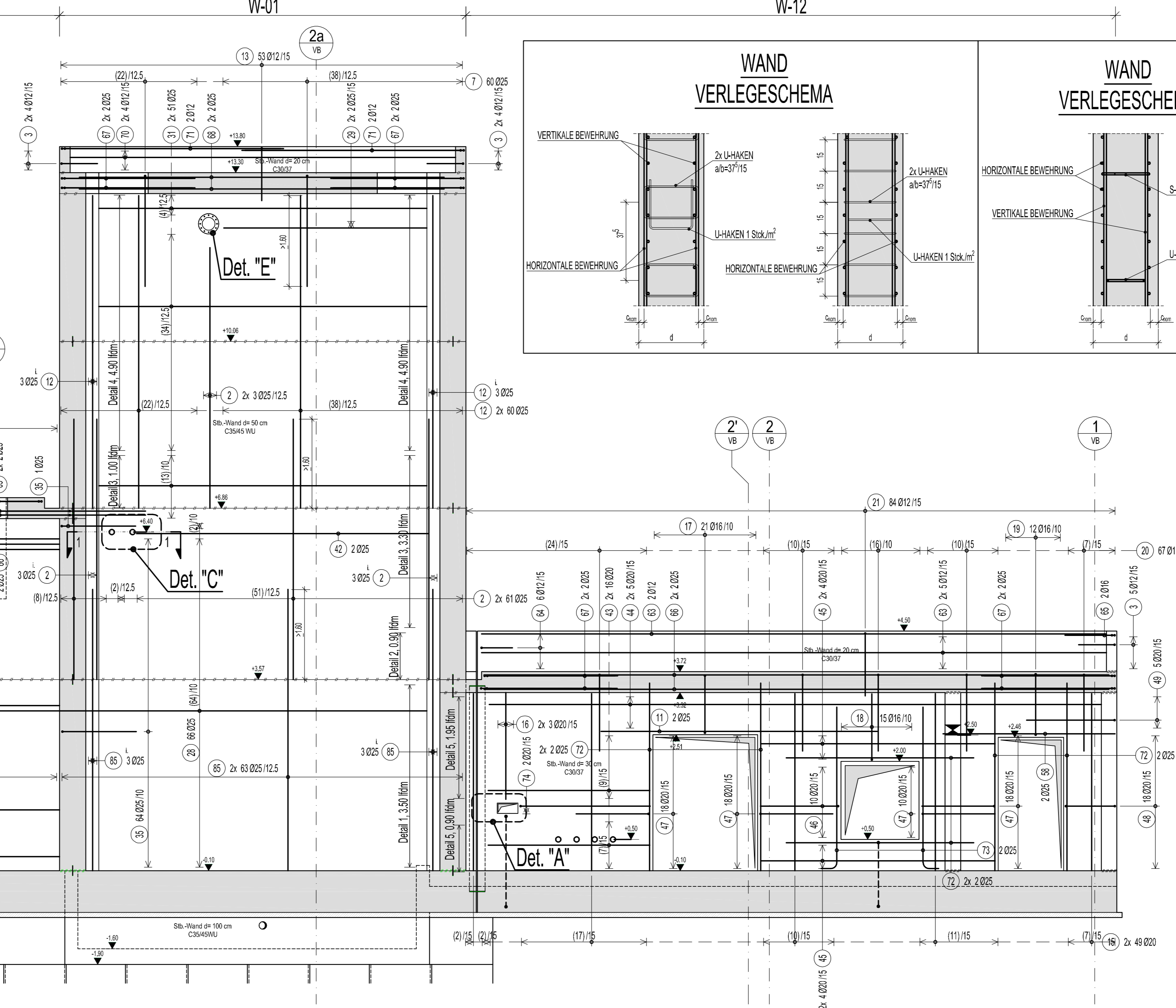
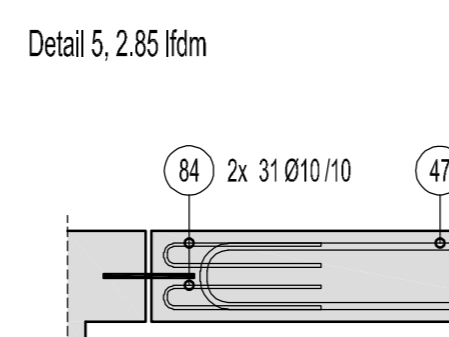
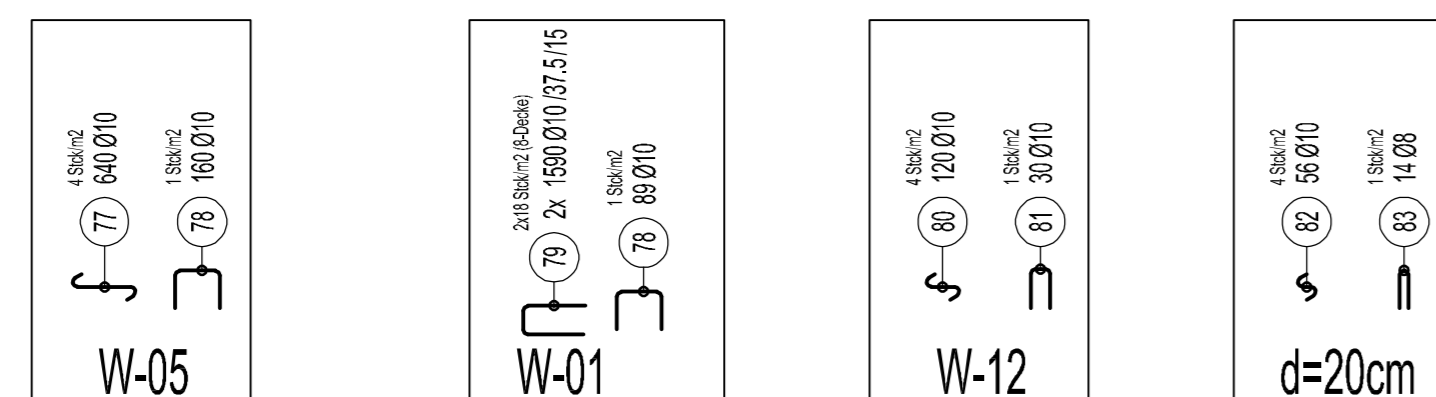
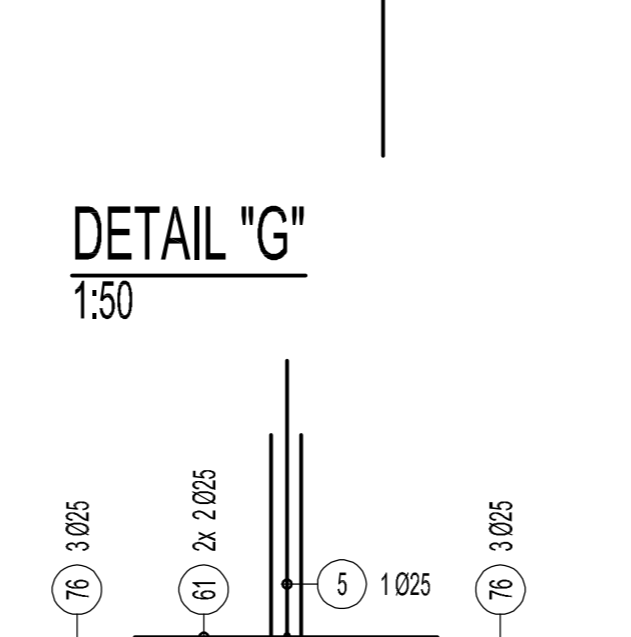
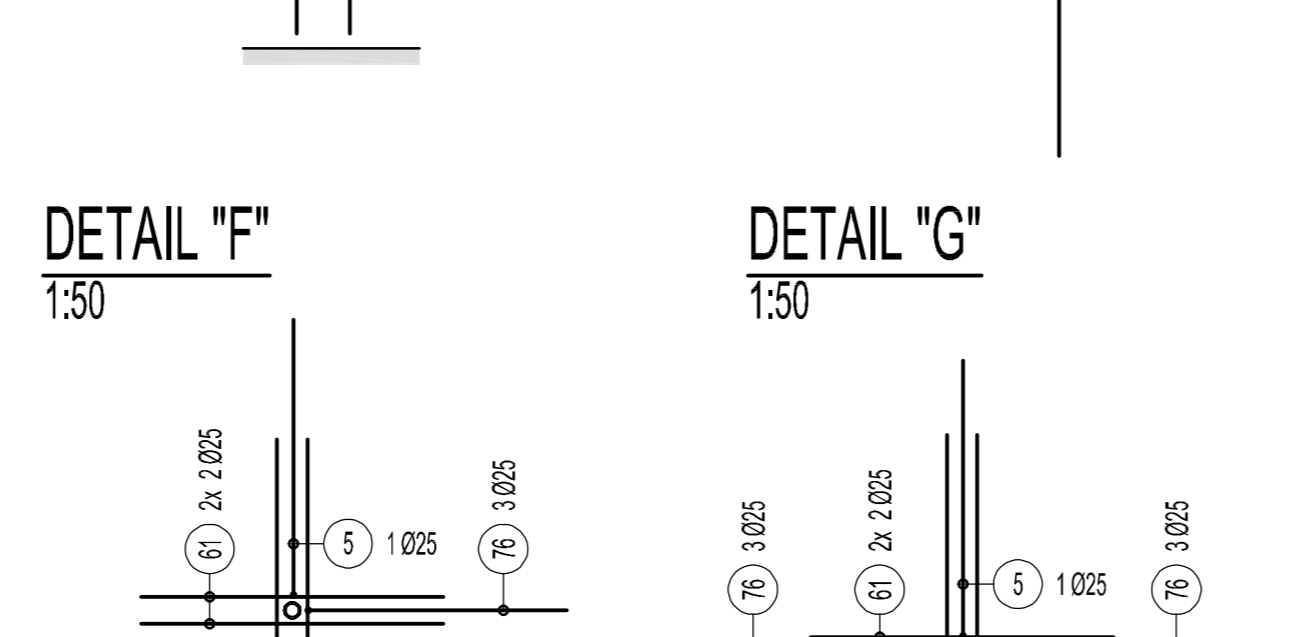
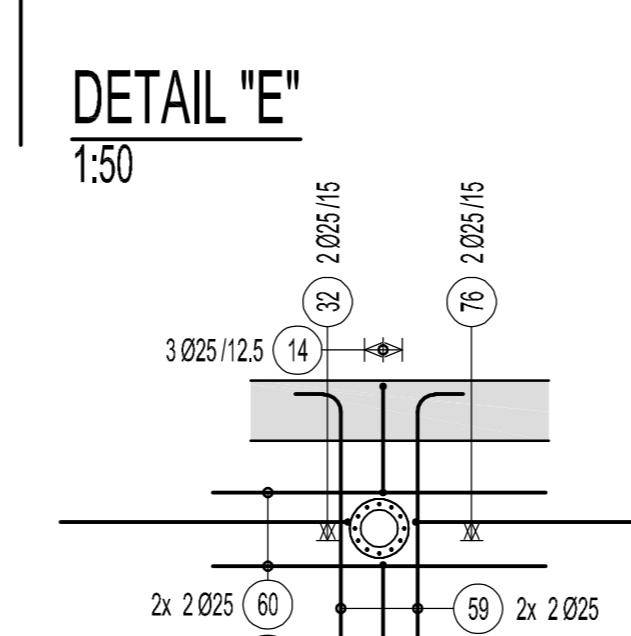
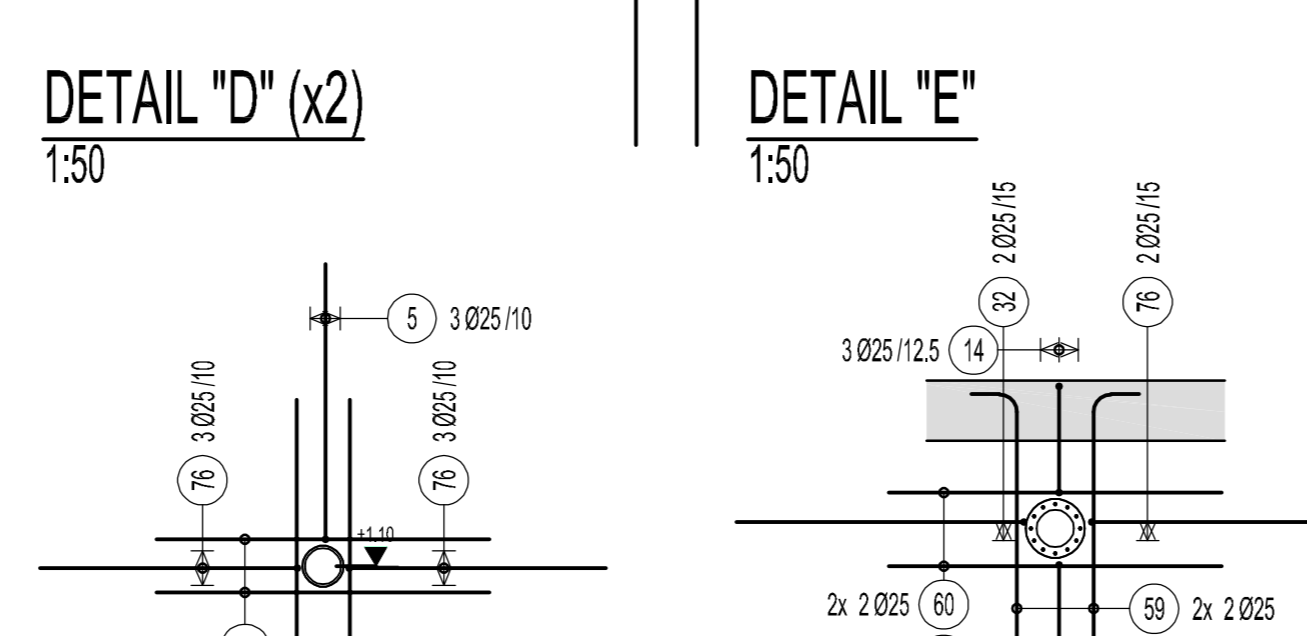
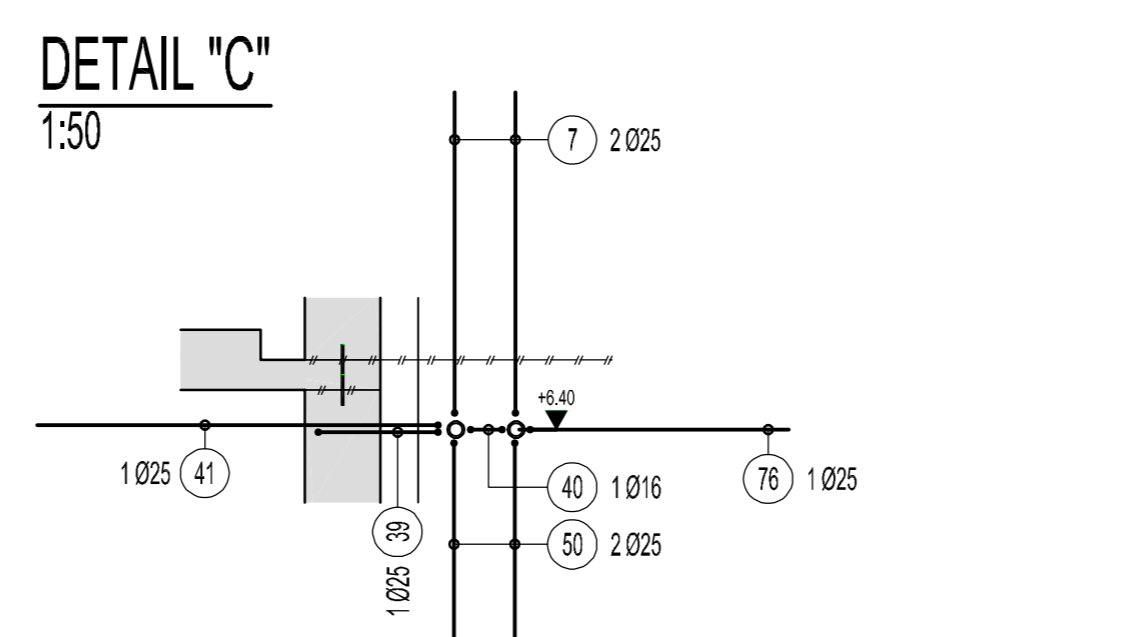
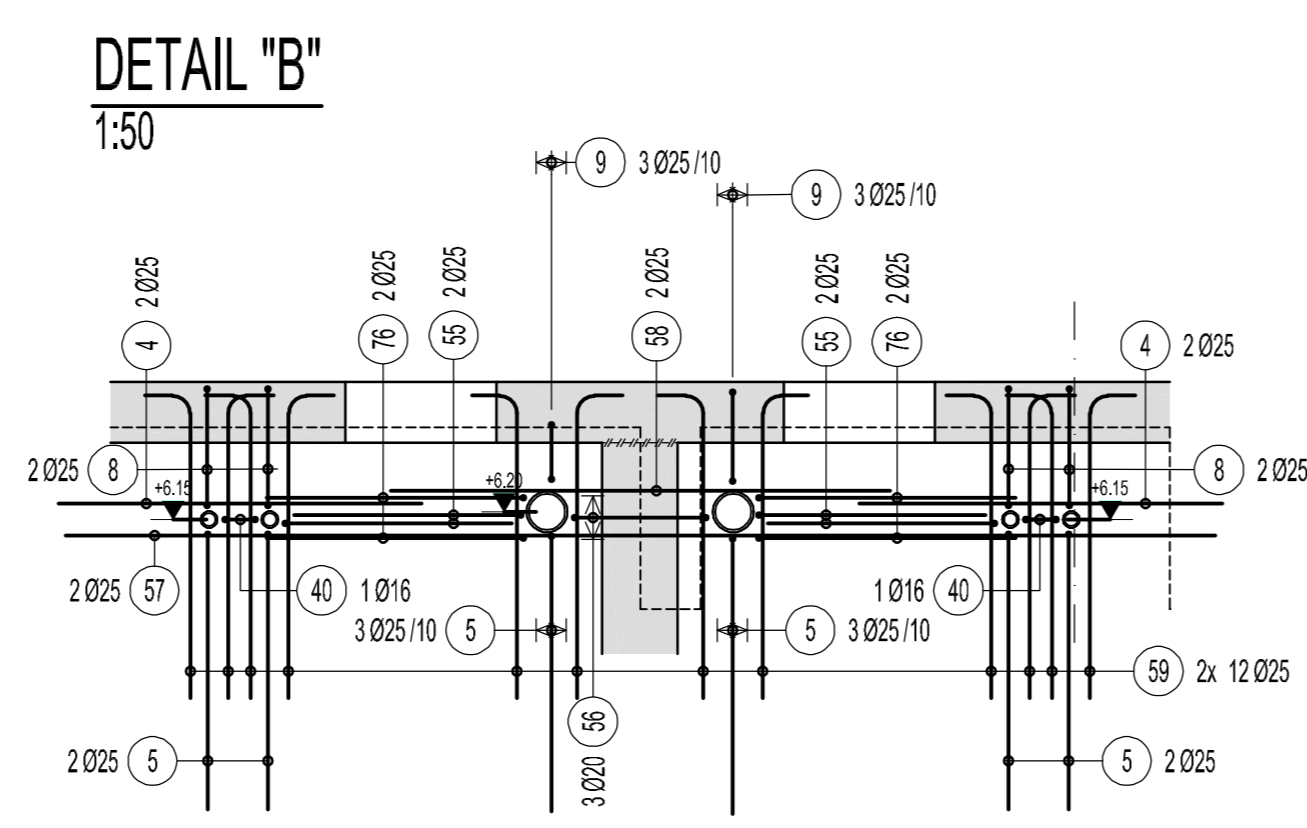
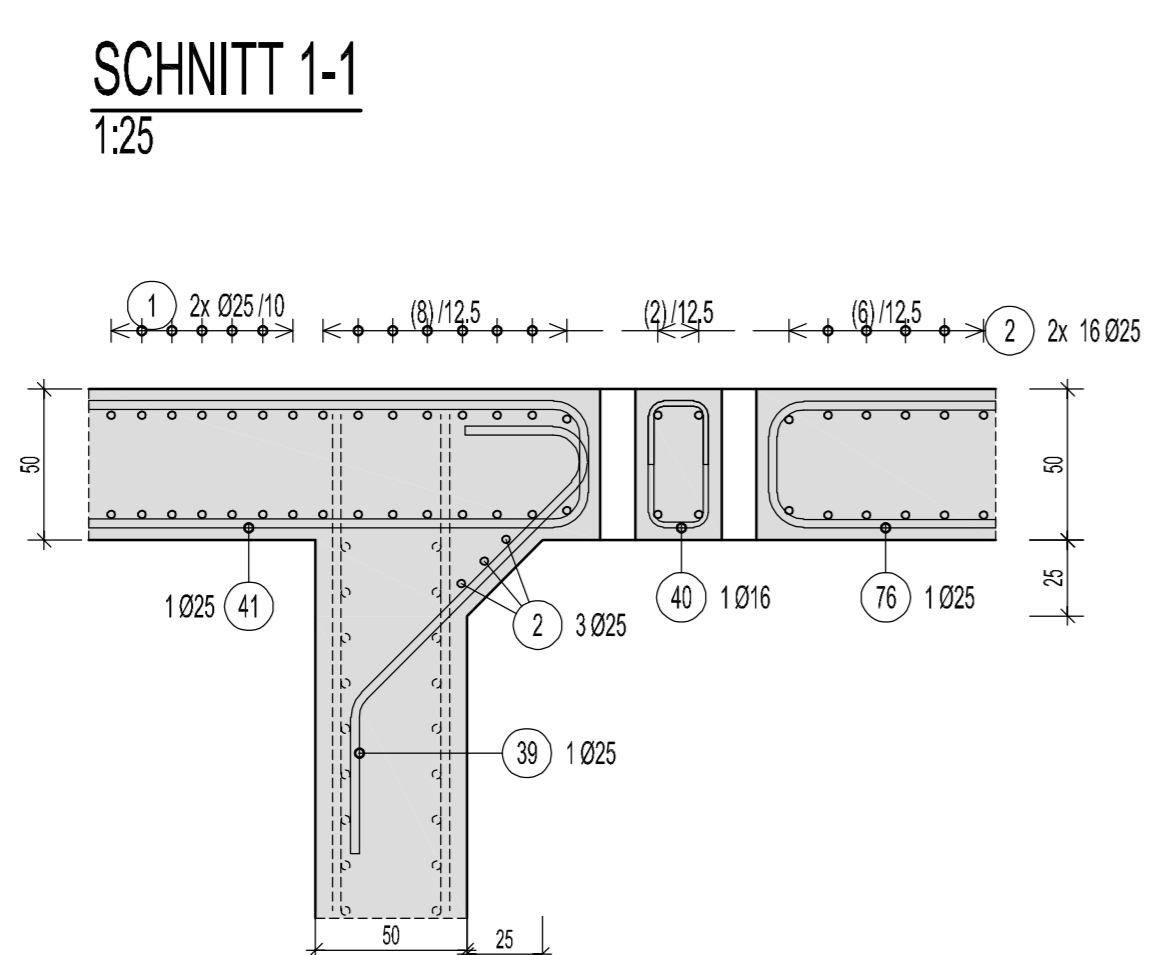
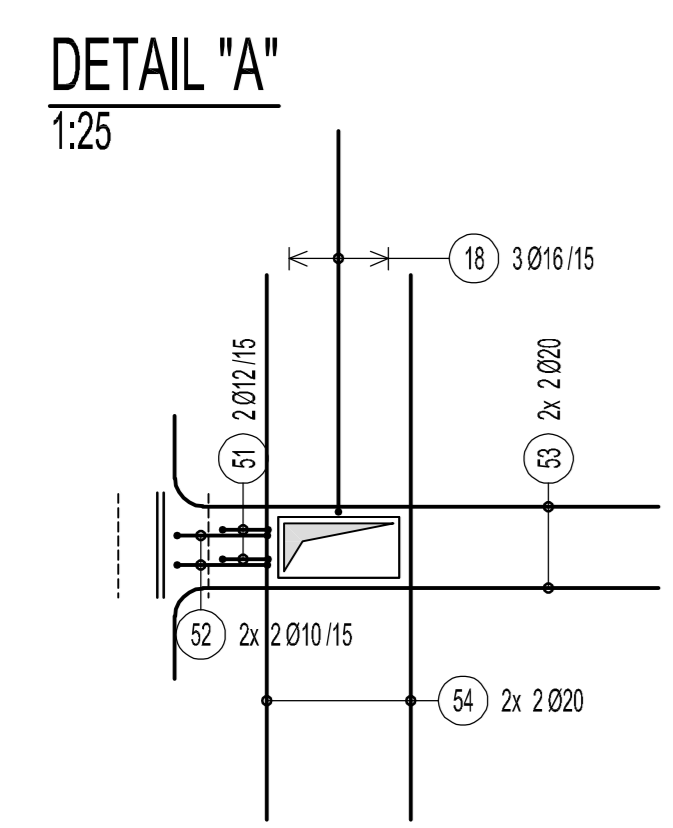


Table with technical specifications for reinforcement, including minimum reinforcement diameter (D_{min}), spacing, and material types.

Table with material specifications for concrete (C35/45, C30/37) and reinforcement (B500B), including exposure class and design requirements.

Angaben zur Betongüte im einzelnen siehe auch Positionsliste.
Besondere Anforderungen hinsichtlich Dichtigkeit, Vermeidung von Schwindrissen usw. siehe Legende Schalpläne.
Ausprägungen siehe Schalpläne bzw. Ausprägungspläne.



BIEGELISTE Betonstahl B500B table with columns for position, length, and weight.

BIEGELISTE Betonstahl B500B table with columns for position, length, and weight.

BIEGELISTE Betonstahl B500B table with columns for position, length, and weight.

BIEGELISTE Betonstahl B500B table with columns for position, length, and weight.

BIEGELISTE Betonstahl B500B table with columns for position, length, and weight.

BIEGELISTE Betonstahl B500B table with columns for position, length, and weight.

BIEGELISTE Betonstahl B500B table with columns for position, length, and weight.

BIEGELISTE Betonstahl B500B table with columns for position, length, and weight.

BIEGELISTE Betonstahl B500B table with columns for position, length, and weight.

BIEGELISTE Betonstahl B500B table with columns for position, length, and weight.

BIEGELISTE Betonstahl B500B table with columns for position, length, and weight.

BIEGELISTE Betonstahl B500B table with columns for position, length, and weight.

